

# V1421 Series

## Explosion-proof Camera Housing

**Infinova**<sup>®</sup>  
The Integrator's Manufacturer



- **316 stainless steel construction**
- **The front end window utilizes steel glass**
- **Strong corrosion-resistant capabilities**
- **IP66 environmental protection**
- **Suitable for indoor/outdoor flammable and explosive hazardous areas**
- **Use with fixed mount or adjustable mount**

V1421 series explosion-proof products are housings that meet stringent corrosion-resistant requirements. The housing made of 316 stainless steel features excellent explosion-proof and strong corrosion-resistant capabilities. It is suitable for both indoor and outdoor installations. Infinova's line of fixed cameras and zoom cameras can be installed in this explosion-proof housing. The V1421 housing is ideal for use in environmental conditions including chemical industry, oil storeroom and fuel facilities.

The features in the design are in accordance with IECEx standard. The symbol for explosion-proof camera housing is ExdIICT6. Environmental protection is IP66.

## Technical specifications

### V1421 General Parameters

#### Mechanical

Construction 316 Stainless Steel

Environmental Rating IP66

#### Physical

External Dimensions (W×H×L) 6.46"×6.46"×18.39"  
(164 mm×164 mm×467.1 mm)

Internal Dimensions (W×H×L) 2.68"×3.15"×10.24"  
(68 mm×80 mm×260 mm)

Unit Weight 30.86 lbs. (14 kg)

Shipping Weight 33.07 lbs. (15 kg)

Box Dimensions (W×H×L) 9.53"×9.92"×21.73"  
(242 mm×252 mm×552 mm)

#### Electrical

Input Voltage 24 VAC / 110 VAC / 230 VAC, 60/50 Hz

Power Consumption 30 W (Maximum)

#### Environmental

Atmospheric Pressure 86kpa~106kpa

Operating Temperature -4 °F ~ 140 °F (-20 °C~+60 °C)

Relative Humidity 95% RH (77°F/25°C)

Application Field For Division 1 and 2 hazardous locations where fire or explosion hazards may exist due to the presence of flammable gases or vapors (Gas Groups: II A, II B, II C; Temperature Classes: T1-T6)

#### Certifications and Approval

IECEX, ExdIICT6<sup>1</sup>,

CNEEx, ExdIICT6<sup>2</sup>,

CE/EMC<sup>3</sup>: EN 55022, EN 55024, EN61000-3-2,61000-3-3,

CE/LVD<sup>4</sup>: EN 60950-1,

FCC<sup>5</sup>,

ISO 9001:2008

Certificate No.: <sup>1</sup> IECEX CQM 09.0001; <sup>2</sup> CNEEx 08.1401X; <sup>3</sup> BCT09FC-499E; <sup>4</sup> BCT09FC-499S; <sup>5</sup> BCT09FC-500E

### V1665-W1 General Parameters

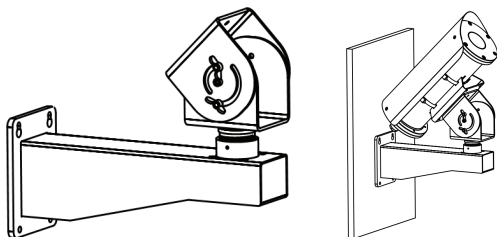
Construction 316 Stainless Steel

Unit Weight 8.82 lbs. (4kg)

Shipping Weight 11.02 lbs. (5kg)

Box Dimensions (L×W×H) 17.52"×12.60"×6.69"  
(445 mm×320 mm×170 mm)

## Installation



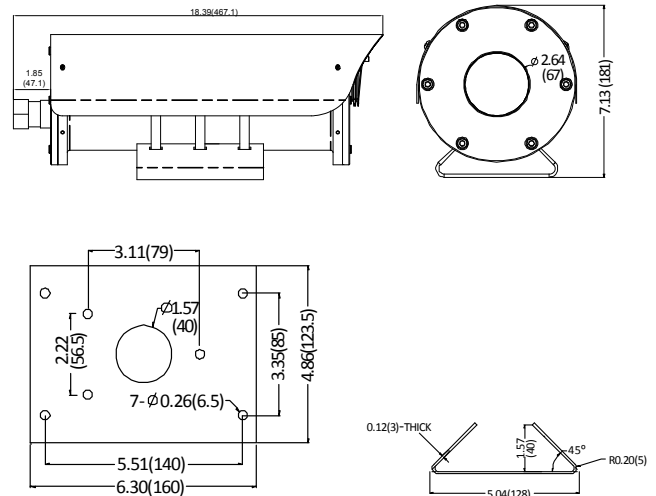
## Ordering information

- V1421-15SHB6-2 Camera housing, explosion-proof, 15 inch, w/ sunshield, wiper, heater, blower, 316 Stainless Steel, outdoor, 24VAC
- V1421-15SHB7-2 Camera housing, explosion-proof, 15 inch, w/ sunshield, wiper, heater, blower, 316 Stainless Steel, outdoor, 110VAC
- V1421-15SHB8-2 Camera housing, explosion-proof, 15 inch, w/ sunshield, wiper, heater, blower, 316 Stainless Steel, outdoor, 230VAC
- V1421-15A6-2 Camera housing, explosion-proof, 15 inch, 316 Stainless Steel, indoor, 24VAC
- V1421-15A7-2 Camera housing, explosion-proof, 15 inch, 316 Stainless Steel, indoor, 110VAC
- V1421-15A8-2 Camera housing, explosion-proof, 15 inch, 316 Stainless Steel, indoor, 230VAC

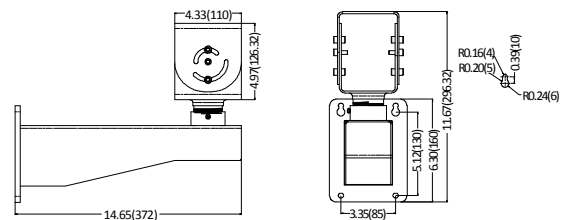
#### Mounts

- V1665-W1 Adjustable Wall Mount, 316 Stainless Steel

## Housing dimensions



## Mount dimensions



(Unit: inch, in the parentheses is mm)